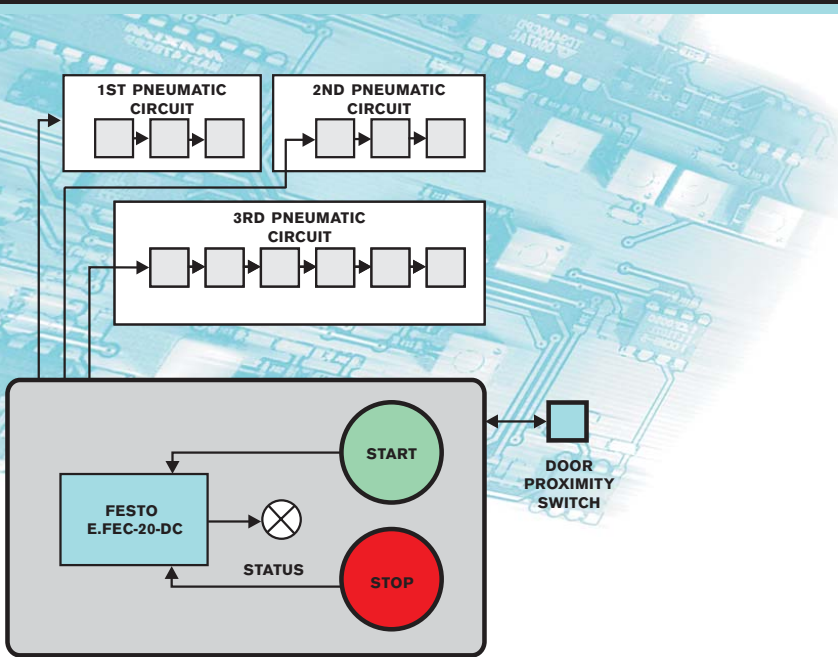




Electropneumatic Switch Box Model SWB 20

Special Systems



Parameters

Number of control elements	2 (START, STOP)
Number of pneumatic circuits	3
Status indicator	2-colour flashing LED
Power	230 V AC, 50/60 Hz
Dimensions	300 × 180 × 50 mm
Weight	2 kg



SWB 20 electropneumatic switch box is a custom-made product. The device was designed to operate the interaction chamber of PALS laboratory. It controls, through E.FEC-20-DC electropneumatic controller (mfd. by FESTO), opening and closing of fixing parts on the interaction chamber doors. In PALS laboratory, the switch box controlled independently three pneumatic lines and one proximity switch indicating whether the door were closed. Two control sequences were defined – “OPEN” and “CLOSE”. The status of the device is indicated by a two-colour, large diameter LED. The device is mounted in a stainless steel box.