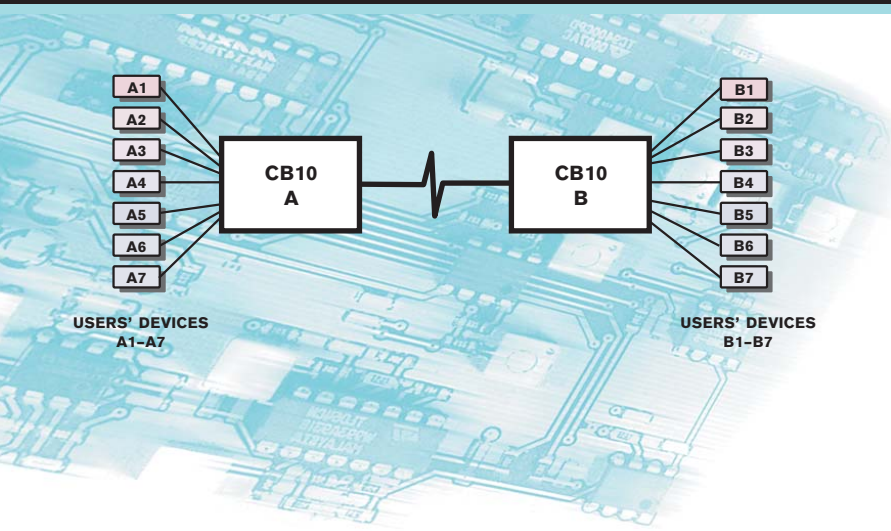




Connection Box Model CB 10

Special Systems



Parameters

Trigger coaxial lines	50 Ω, BNC (female) – BNC (female), 4×
Standard coaxial lines	50 Ω, BNC (female) – BNC (female), 12×
9-way data lines (+ shielding)	D-sub 9 (female) – D-sub 9 (female), 2×
25-way data lines (+ shielding)	D-sub 25 (female) – D-sub 25 (female), 2×
8-way data lines (+ shielding)	RJ-45 (female) – RJ-45 (female), 2×
Single mode optical lines	9/125/3000, FC/APC – 9/125/3000, FC/APC, 2×
Multi mode optical lines	62.5/125/3000, FC/PC – 62.5/125/3000, FC/PC, 2×

Version A	silver/grey coloured
Version B	black coloured

Dimension	19" × 2U × 250 mm
Weight	3 kg



The CB 10 device (available in option A or B) allows to establish a standard (fixed) cable connection interface between two spatial locations.