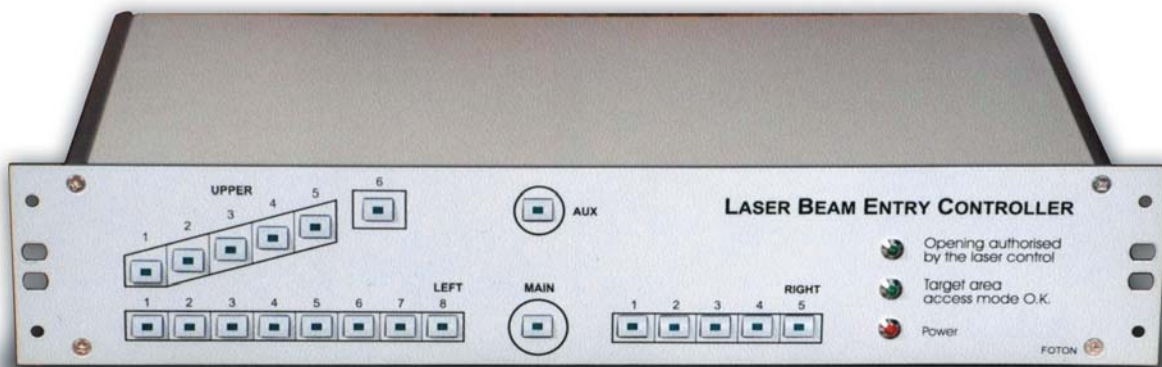
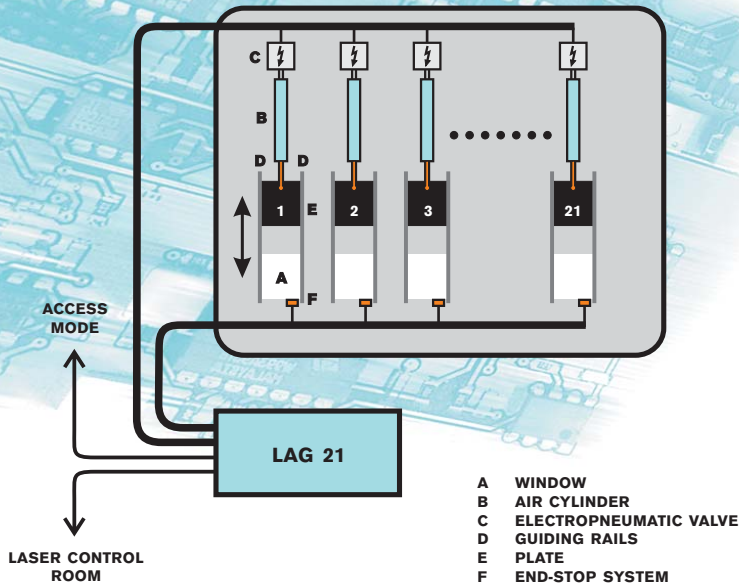




Parameters

Level of output signals	24 VDC
Indicators	"Opening authorised by the target control" - green LED "Target area access mode O.K." - green LED "Power" - red LED
Power	230 VAC, 50/60 Hz
Dimensions	19" × 2U × 250 mm (483 × 88.1 × 250 mm)
Weight	2.5 kg



LAG 21 is a special custom-made product. It is designed for remote control of an electropneumatic system consisting of 21 mechanical plates which separate the laser hall from the target area in PALS (Prague's Asterix Laser System, CZ). The arrangement of all control elements corresponds to the real spatial location of plates. Each window can be open or closed independently and has own limit detector. The status of windows is indicated by LEDs. In addition, the device has two auxiliary indicators for master control system and for target area access system. The device has standard metal 2U-RACK housing.